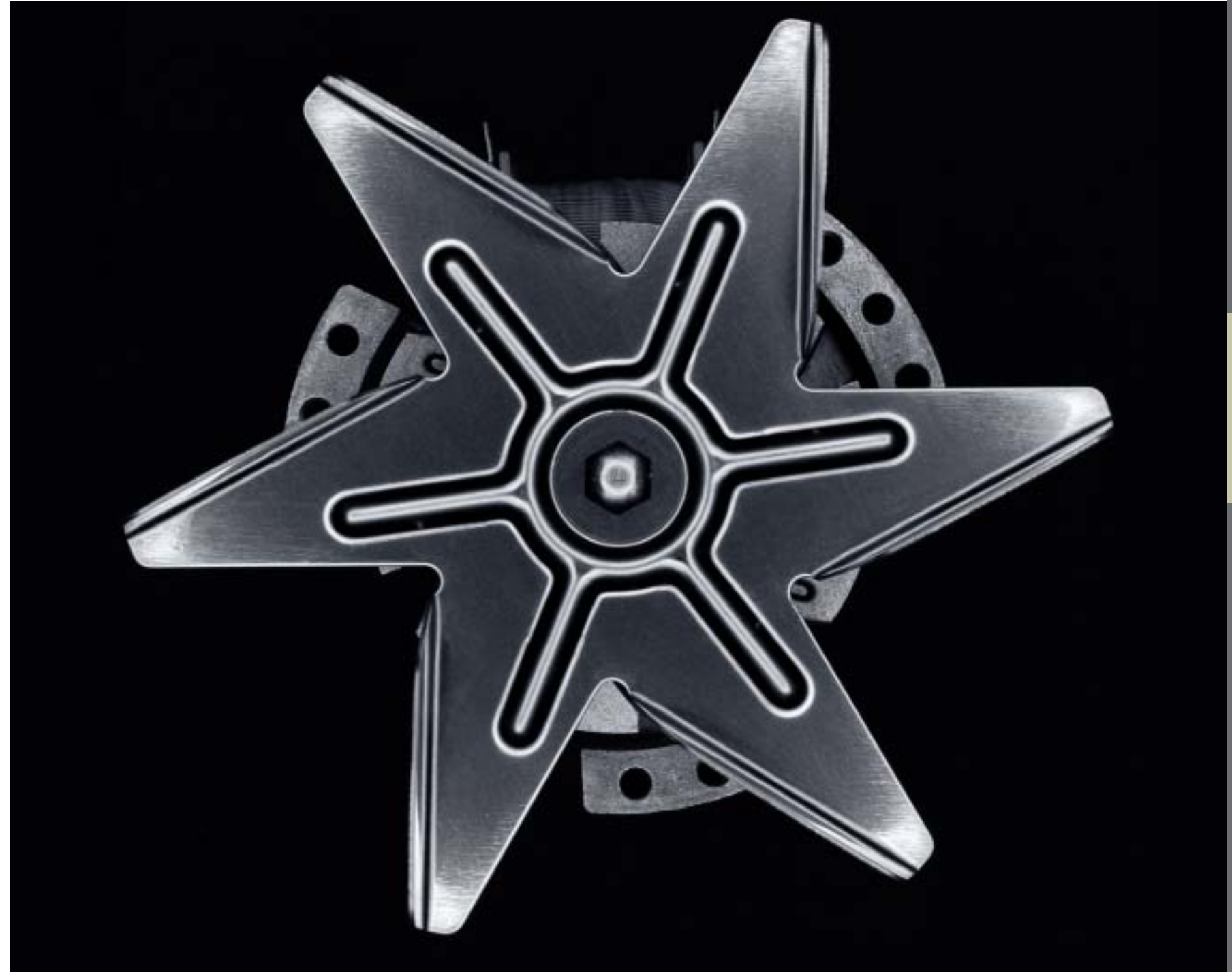


## Hot air blowers

Description	84
RRL series EM30 motor, impeller diameter 120 to 160 mm	85
R2A series EM42 motor, impeller diameter 152 mm	87
R2K series EM42 motor „unit bearing“, ball bearings, impeller diameter 152 mm	88
RR series EM30 motor, with bayonet-type mounting bracket	88
R2E, R2D series, with external-rotor motor	89



# Hot air blowers

Hot air circulation blowers are designed for the special requirements in circulating hot air, e.g. in ovens, climate cabinets, sterilisation units, meal and dish warmers and similar appliances.

The basic design comprises a shaded pole motor mounted outside the hot area using special mounting plates and a radial impeller made of FAL sheet steel, stainless steel or die-cast aluminium, which operates within the high temperature zone.

Equipment for generating hot air is not supplied by ebm-papst and may, e.g., take the form of a ring heater mounted around the hot air impeller.

Depending on the type or requirements, sintered sleeve bearings with high temperature-resistant lubricant or ball bearings may be used.

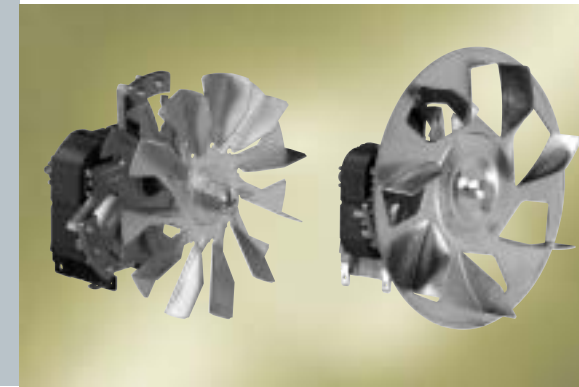
The maximum permissible bearing temperature is 120° C.

Versions with sleeve bearings may only be used with a horizontal shaft, but any shaft position is possible if ball bearings are used.

The winding complies with insulation class H (EN60335).

Depending on the measures taken for thermal insulation between motor and impeller and the impeller material, circulation temperatures of up to approx. 250° C, temporarily even up to 500° C (e.g. for pyrolytic self-cleaning processes in ovens) can be managed.

The standard types described below are only a selection taken from the wide range of possibilities. The circulation capacities they can achieve depend to a large extent, on the mounting situations, i.e. the specified values for air flow, pressure and speed are only general benchmark figures in typical mounting conditions. For serial use, motor rating, mounting, shaft length and impeller can be adjusted to suit specific requirements.



# Hot air blowers

RRL 120, RRL 140

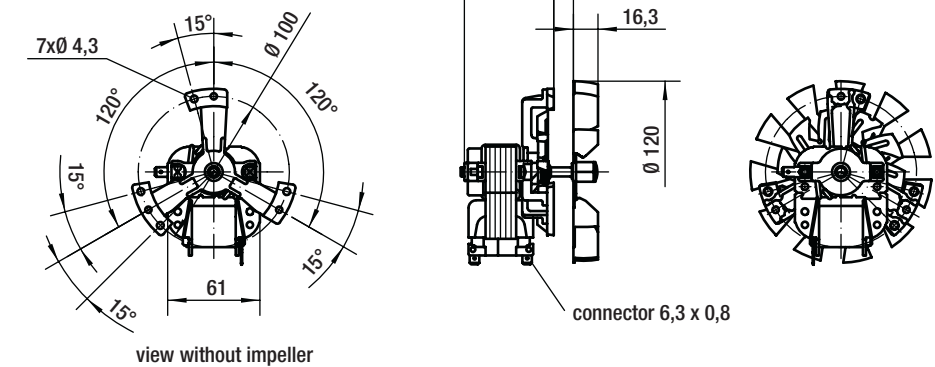
- sintered sleeve bearings with additional lubricant depot for bearing temperature up to max. 120 °C
- mounting position: horizontal shaft
- insulation class H (EN 60335)
- impeller: FAL sheet steel

ebm-papst · Landshut

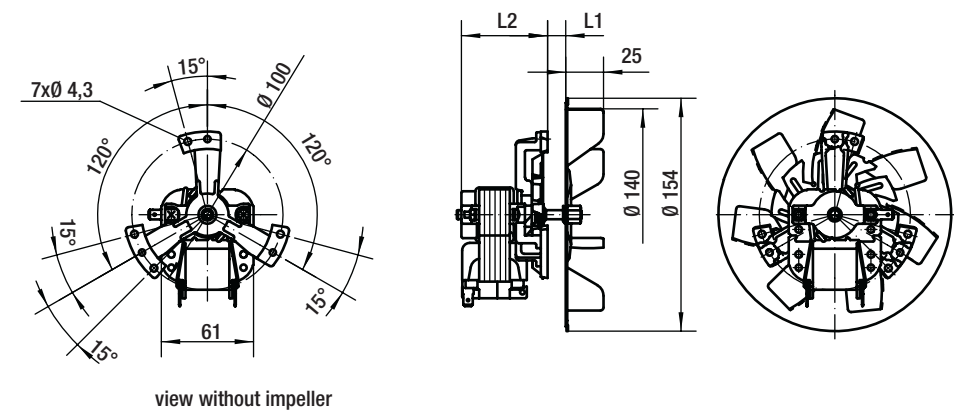
Nominal data	rated voltage	frequency	air flow	max. pressure increase	power input	speed	mass	recommended air intake	Dimensions mm	
	V	Hz	m³/h	Pa	W	min⁻¹	kg	Ø	L1	L2
RRL120-3020LH	230	50	100	100	29	2000	0,75	100	13	62
RRL140-3020LH	230	50	170	140	38	1700	0,8	120	12	60

Technical data valid for typical applications; bold print = standard type; subject to alterations

RRL 120



RRL 140



# Hot air blowers

RRL 152, RRL 160

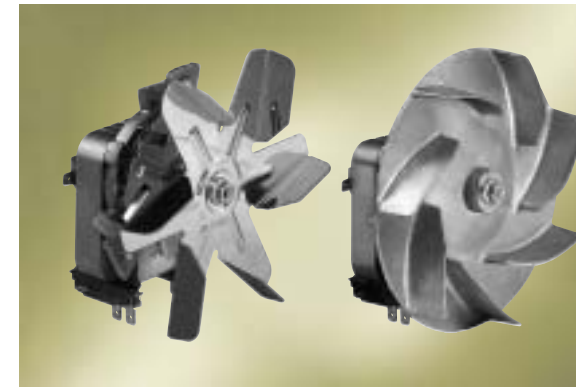
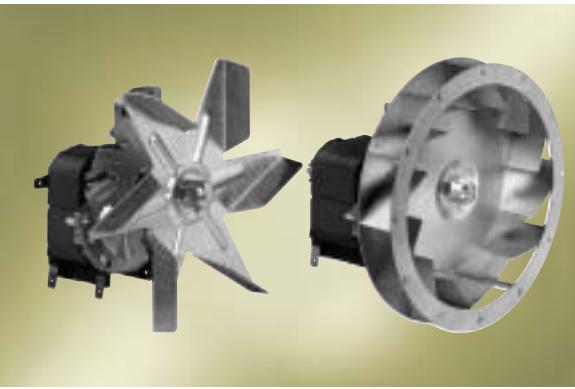
- bearing: RRL 152 ball bearings  
RRL 160 sintered sleeve bearings with additional lubricant depot
- mounting position: RRL 152 all mounting positions possible  
RRL 160 horizontal shaft
- impeller: RRL 152 FAL sheet steel  
RRL 160 galvanized sheet steel
- insulation class: H (EN 60335)

ebm-papst • Landshut

# Hot air blowers

R2A150AC, R2A150AA

- bearing: sintered sleeve bearings with additional lubricant depot
- mounting position: horizontal shaft
- impeller: R2A150AC stainless steel  
R2A150AA die-cast aluminium
- insulation class: H (EN 60335)



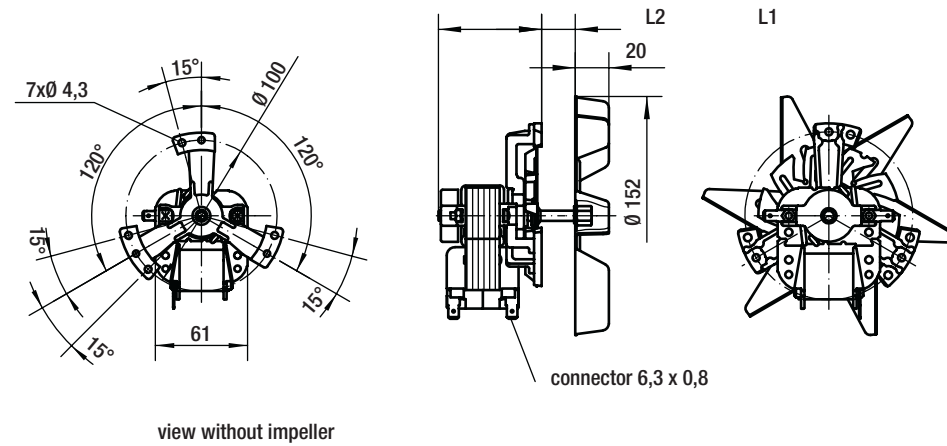
Nominal data	rated voltage	frequency	air flow	max. pressure increase	power input	speed	mass	recommended air intake	Dimensions mm	
	type	V	Hz	m³/h	Pa	W	min⁻¹	kg	Ø	L1
<b>RRL152-3030LH</b>	230	50	200	150	45	2200	1	120	30	71
RRL160-3038LH	230	50	210	200	37	1600	1,4	120	26	79

Technical data valid for typical applications; bold print = standard type; subject to alterations

Nominal data	rated voltage	frequency	air flow	max. pressure increase	power input	speed	mass	recommended air intake	Dimensions mm	
	type	V	Hz	m³/h	Pa	W	min⁻¹	kg	Ø	L1
<b>R2A150-AC</b>	230	50	170	140	32	1800	1	120	21	98
R2A150-AA	230	50	190	180	30	2000	1,1	120	18,4	102,5

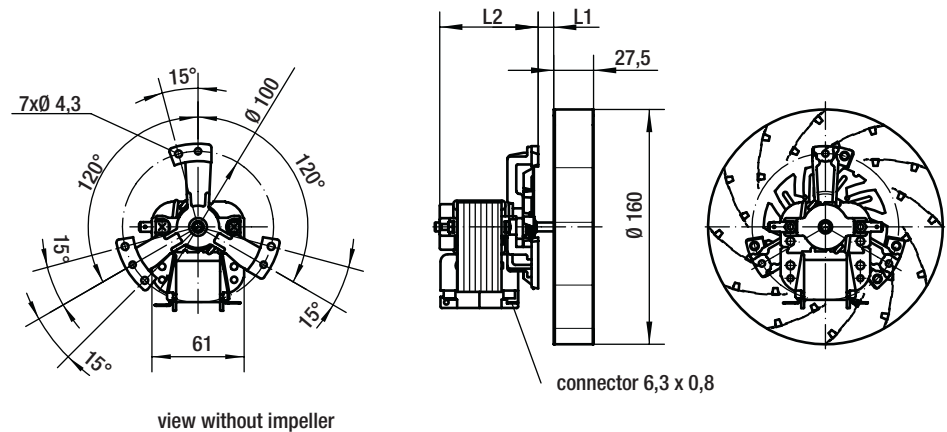
Technical data valid for typical applications; bold print = standard type; subject to alterations

## RRL 152



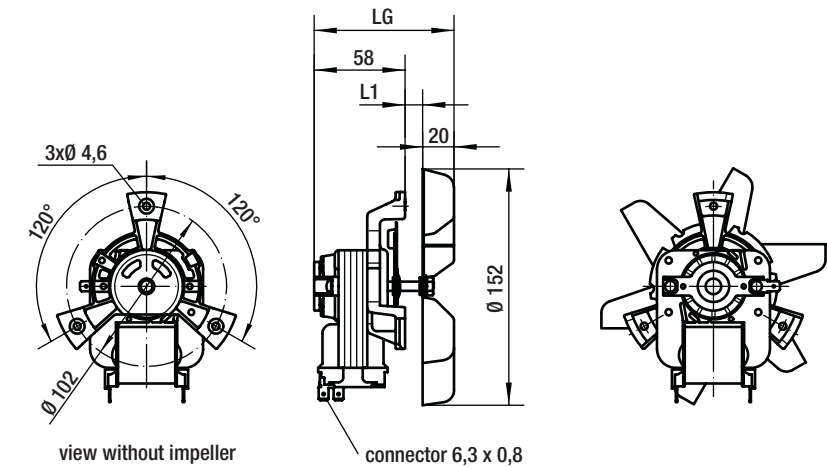
view without impeller

## RRL 160



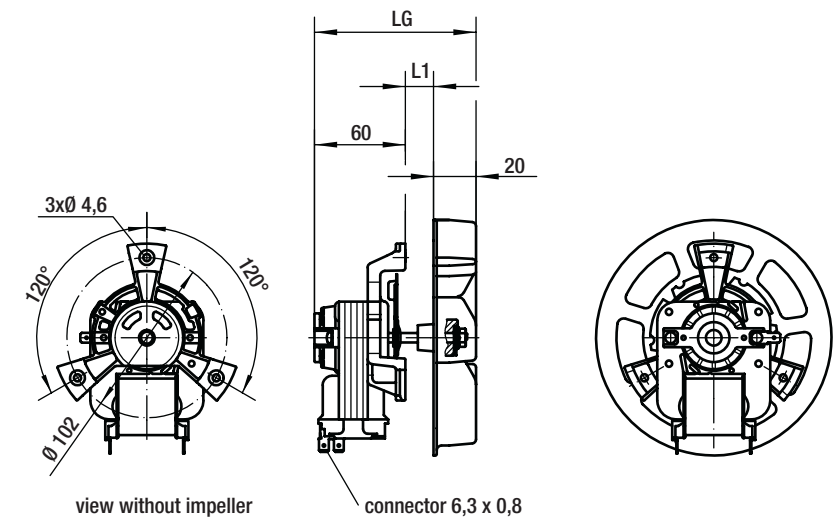
view without impeller

## R2A150AC



view without impeller

## R2A150AA



view without impeller

# Hot air blowers

R2K, RR

- bearing: R2K150 ball bearings „unit bearing“, integrated in rotor  
RR 152 sintered sleeve bearings with additional lubricant depot
- mounting position: R2K150 all mounting positions possible  
RR 152 horizontal shaft
- impeller: R2K150 stainless steel  
RR 152 FAL sheet steel
- mounting bracket: R2K150 three armed with triangular plate  
RR 152 bayonet type
- insulation class: H (EN 60335)

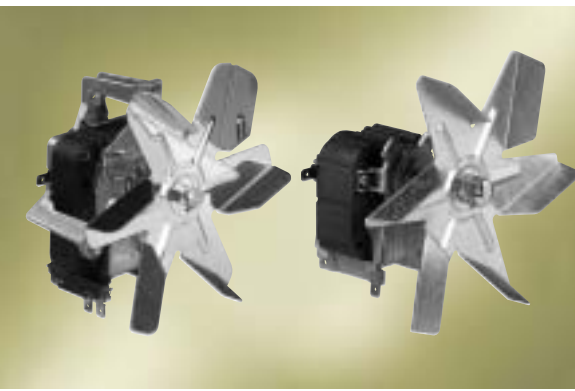
ebm-papst • Landshut

# Hot air blowers

R2E 180, R2D 225

- material: impeller of stainless steel
- bearings: maintenance-free ball bearings
- direction of rotation: R2E 180 -AH: counter-clockwise, seen on impeller  
R2D 225 -AG: clockwise, seen on impeller
- connection leads: terminal strip

ebm-papst • Mulfingen

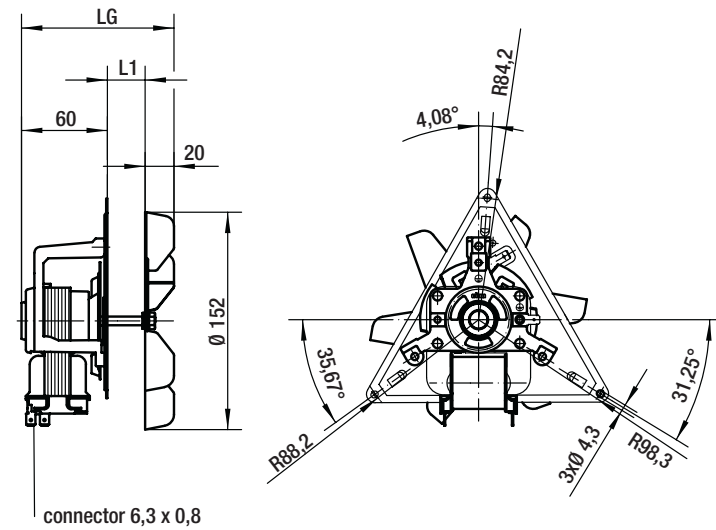


Nominal data												Nominal data		characteristic curve							
type	rated voltage V	frequency Hz	air flow m³/h	max. pressure increase Pa	power input W	speed min⁻¹	mass kg	recommended air intake Ø	L1	L2	LG	type	motor	V	Hz	m³/h	A	W	min⁻¹	kg	µF/VDB
R2K150-AC	230	50	200	155	32	2000	1	120	19	-	98,5	R2E 180 -AH05-06	M2E068-DF	230	50	480	0,51	115	2600	3,1	3,0/400
RR152-3025LH	230	50	190	150	37	2000	0,85	120	18,5	61	-	R2D 225 -AG02-10*)	M2D068-EC	230/400	50	1265	0,29	165	2700	4,0	-
														230/400	60	1395	0,39	250	3000	4,0	-

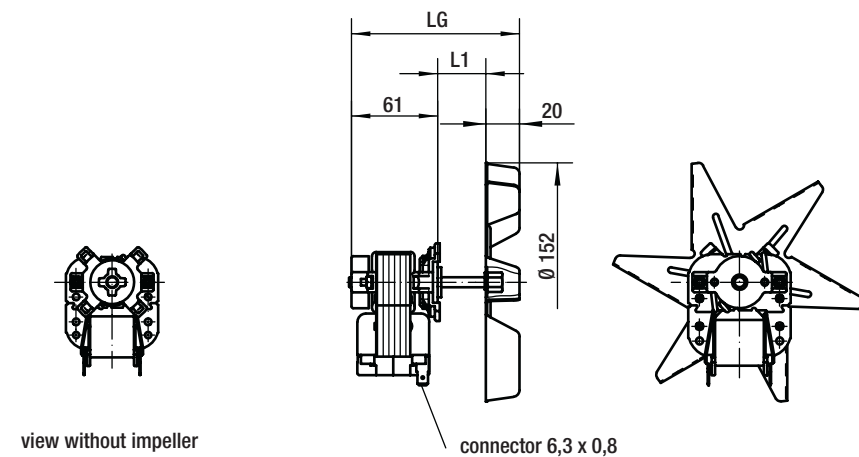
Technical data valid for typical applications; bold print = standard type; subject to alterations

\*) current draw established at 400 VAC (V), subject to alterations

## R2K150

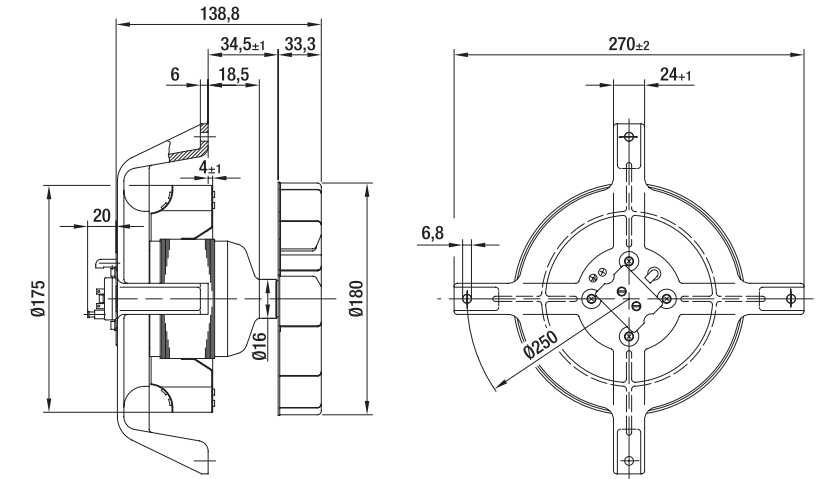
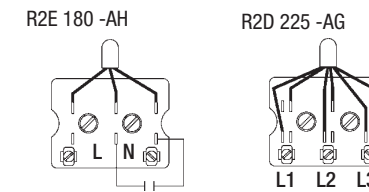


## RR152



## R2E 180

electrical connection:



## R2D 225

### Characteristic curves

