



EC axial fans, EC diagonal fans

EC diagonal fans	Ø 180 - Ø 208	180
EC axial fans	Ø 200 - Ø 250	181



EC diagonal fans

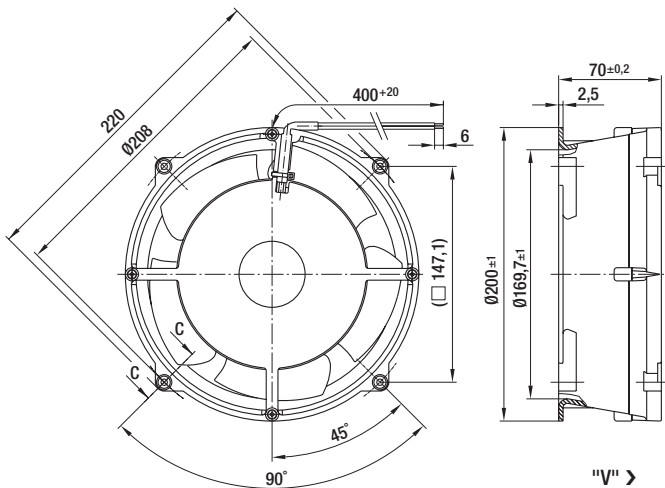
Ø 180



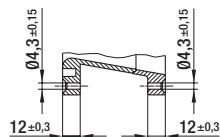
- **Material:**
Wall ring: Die-cast aluminium
Blades: Plastic PA
Rotor: Galvanized
- **Number of blades:** 5
- **Direction of air flow:** "V", exhaust over struts
- **Direction of rotation:** Counter-clockwise, seen on rotor
- **Type of protection:** IP 20
- **Insulation class:** "B"
- **Mounting position:** Any
- **Condensate discharges:** None
- **Mode of operation:** Continuous operation (S1)
- **Bearings:** Maintenance-free ball bearings
- **Technical features:** Control input 0-10 VDC / PWM, tach output, polarity and locked rotor protection, soft start
- **EMC:**
Interference emission acc. to EN 61000-6-3
Interference immunity acc. to EN 61000-6-2
- **Cable exit:** Lateral
- **Protection class:** I
- **Product conforming to standard:** EN 60950-1
- **Approvals:** UL, CSA;
Ⓐ (48 VDC) with CCC

Nominal data		Curve	Nominal voltage	Voltage range	Air flow	Speed/rpm	Power input	Current draw	Sound pressure level	Max. operative range	Perm. amb. temp.	Mass
Type	Motor	VDC	VDC	m³/h	rpm	W	A	dB(A)	Pa	°C	kg	
W1G180-AB31 -01	M1G074-BF	Ⓐ	24	16-28	900	4550	93	4.30	68	—	-25 to +60	1.8
W1G180-AB47 -01	M1G074-BF	Ⓐ	48	36-57	925	4600	100	2.30	69	—	-25 to +60	1.8

subject to alterations



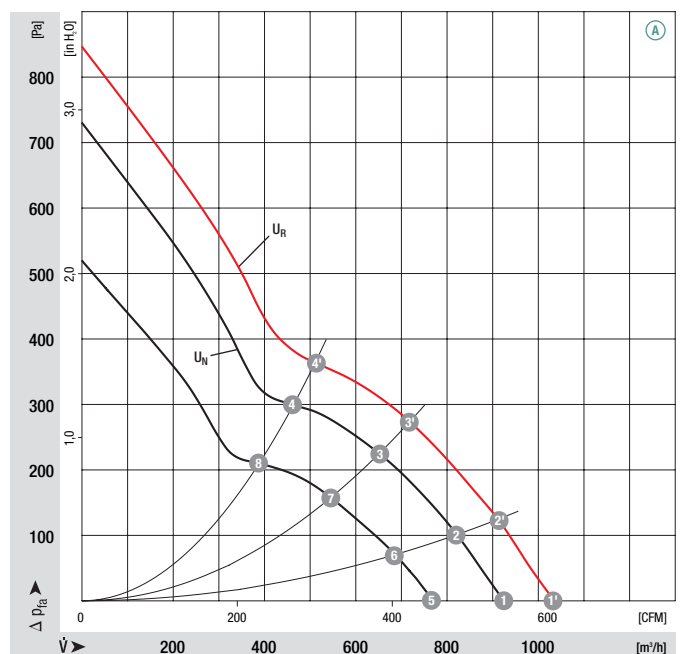
Section C-C



Red = +
Blue = -
Yellow = PWM/Lin control input
White = Tach output

	n [rpm]	P ₁ [W]	Lp _A [dB(A)]	η _{HL} [%]		n [rpm]	P ₁ [W]	Lp _A [dB(A)]	η _{HL} [%]
Ⓐ 1	5180	133	71	—	Ⓐ 3	4340	112	66	67
Ⓐ 2	4970	141	70	70	Ⓐ 4	4550	105	67	55
Ⓐ 3	4760	146	68	67	Ⓐ 5	3920	60	66	—
Ⓐ 4	5010	140	69	55	Ⓐ 6	3790	64	65	70
Ⓐ 1	4600	100	69	—	Ⓐ 7	3660	68	63	67
Ⓐ 2	4500	106	68	70	Ⓐ 8	3790	63	63	55

Curves (established at 48 VDC)



EC axial fans

Ø 200



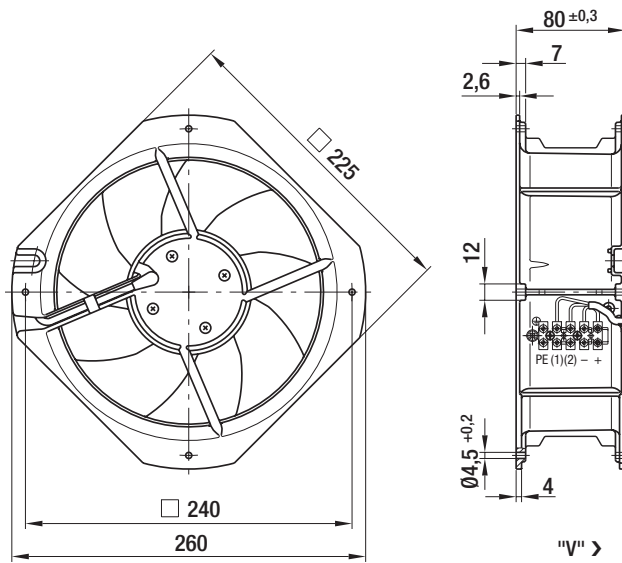
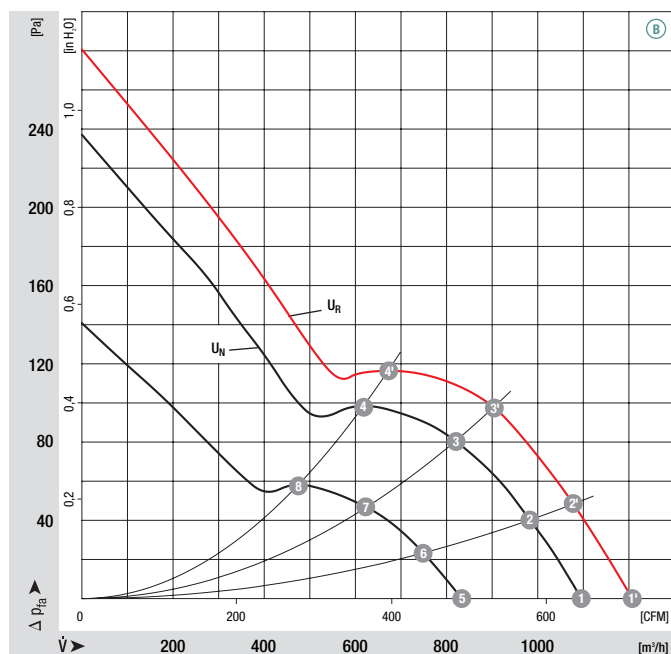
- **Material:**
Wall ring: Die-cast aluminium
Blades: Sheet steel, coated in black
Rotor: Coated in black
- **Number of blades:** 9
- **Direction of air flow:** "V", exhaust over struts
- **Direction of rotation:** Counter-clockwise, seen on rotor
- **Type of protection:** IP 42
- **Insulation class:** "B"
- **Mounting position:** Any
- **Condensate discharges:** None
- **Mode of operation:** Continuous operation (S1)
- **Bearings:** Maintenance-free ball bearings
- **Technical features:** Control input 0-10 VDC / PWM, tach output, polarity and locked rotor protection
- **EMC:**
Interference emission acc. to EN 61000-6-3
Interference immunity acc. to EN 61000-6-2
- **Connection leads:** Terminal strip
- **Protection class:** I
- **Product conforming to standard:** EN 60950-1
- **Approvals:** UL, CSA;
ⓑ (48 VDC) with CCC

Nominal data		Curve	Nominal voltage	Voltage range	Air flow	Speed/rpm	Power input	Current draw	Sound pressure level	Max. operative range	Perm. amb. temp.	Mass
Type	Motor	VDC	VDC	m³/h	rpm	W	A	dB(A)	Pa	°C	kg	
W1G200-HH77 -52	M1G074-BF	ⓑ	24	16-28	1090	2950	55	2.60	60	—	-25 to +60	2.1
W1G200-HH01 -52	M1G074-BF	ⓑ	48	36-57	1005	2750	45	1.10	60	—	-25 to +60	2.1

subject to alterations

	n [rpm]	P ₁ [W]	Lp _A [dB(A)]	η _{HL} [%]		n [rpm]	P ₁ [W]	Lp _A [dB(A)]	η _{HL} [%]
ⓑ 1'	2300	73	63	—	ⓑ 3	2800	61	61	64
ⓑ 2'	2970	77	62	67	ⓑ 4	2780	63	64	54
ⓑ 3'	3100	80	63	64	ⓑ 5	2270	27	55	—
ⓑ 4	2970	80	66	54	ⓑ 6	2230	28	54	67
ⓑ 1	2950	55	60	—	ⓑ 7	2170	29	54	64
ⓑ 2	2890	58	60	67	ⓑ 8	2130	30	57	54

Curves (established at 24 VDC)



(1) Control input
(2) Tach output

EC diagonal fans

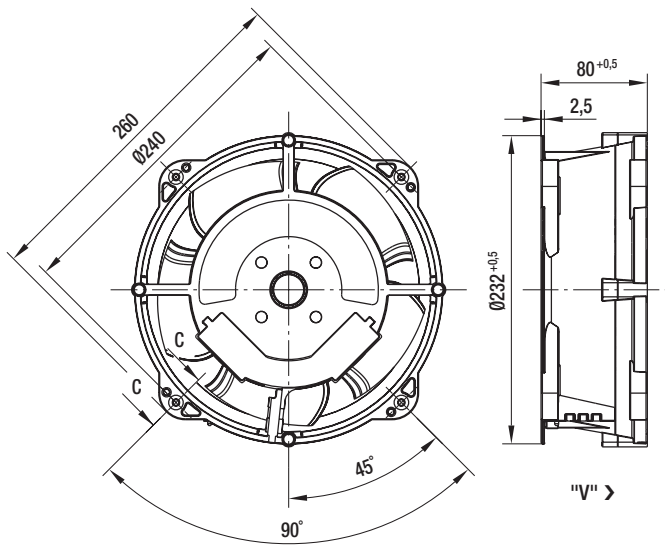
Ø 208



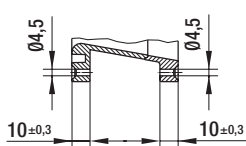
- **Material:**
Wall ring: Die-cast aluminium
Blades: Plastic PA
Rotor: Galvanized
- **Number of blades:** 5
- **Direction of air flow:** "V", exhaust over struts
- **Direction of rotation:** Counter-clockwise, seen on rotor
- **Type of protection:** IP 20
- **Insulation class:** "B"
- **Mounting position:** Any
- **Condensate discharges:** None
- **Mode of operation:** Continuous operation (S1)
- **Bearings:** Maintenance-free ball bearings
- **Technical features:** Control input 0-10 VDC / PWM, tach output, polarity and locked rotor protection
- **EMC:**
Interference emission acc. to EN 61000-6-3
Interference immunity acc. to EN 61000-6-2
- **Connection leads:** Terminal strip
- **Protection class:** I
- **Product conforming to standard:** EN 60950-1
- **Approvals:** VDE, UL, CSA;
Ⓐ (48 VDC) with CCC

Nominal data		Curve	Nominal voltage	Voltage range	Air flow	Speed/rpm	Power input	Current draw	Sound pressure level	Max. operative range	Perm. amb. temp.	Mass
Type	Motor	VDC	VDC	m³/h	rpm	W	A	dB(A)	Pa	°C	kg	
W1G208-BA35 -52	M1G074-BF	Ⓐ	24	16-28	1050	3500	96	4.40	74	—	-25 to +72	2.3
W1G208-BA73 -52	M1G074-BF	Ⓐ	48	36-57	1050	3500	96	2.26	74	—	-25 to +72	2.3

subject to alterations



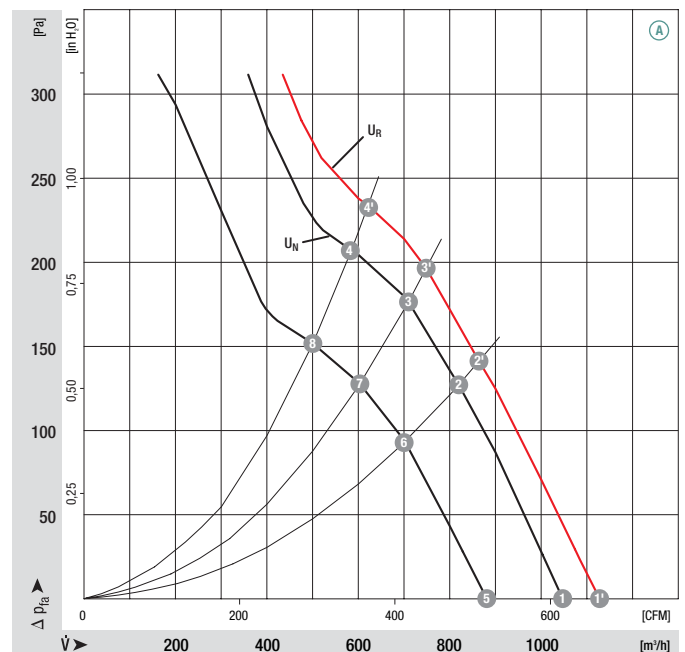
Section C-C



Red = +
Blue = -
Yellow = PWM/Lin control input
White = Tach output

	n [rpm]	P ₁ [W]	Lp _A [dB(A)]	η _{IL} [%]		n [rpm]	P ₁ [W]	Lp _A [dB(A)]	η _{IL} [%]
Ⓐ 1	3740	116	75	—	Ⓐ 3	3250	100	72	53
Ⓐ 2	3500	118	74	52	Ⓐ 4	3330	99	73	48
Ⓐ 3	3450	119	73	53	Ⓐ 5	2960	58	70	—
Ⓐ 4	3530	118	75	48	Ⓐ 6	2830	63	69	52
Ⓐ 1	3500	96	74	—	Ⓐ 7	2780	64	68	53
Ⓐ 2	3300	99	72	52	Ⓐ 8	2840	62	70	48

Curves



EC axial fans

Ø 250



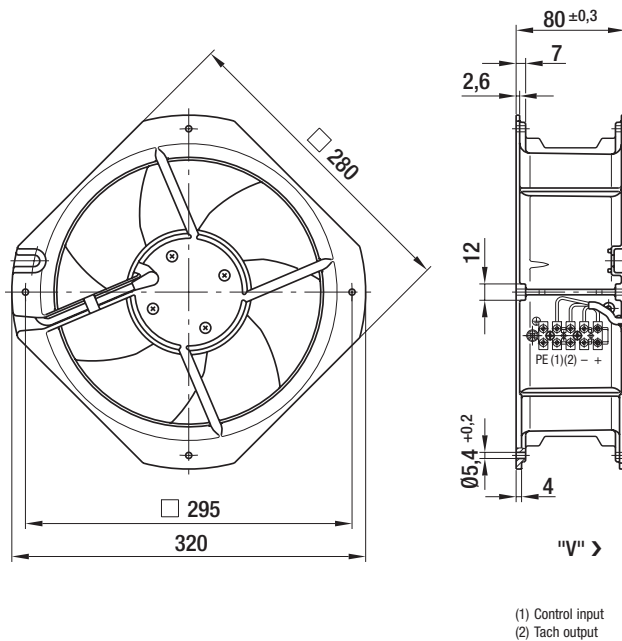
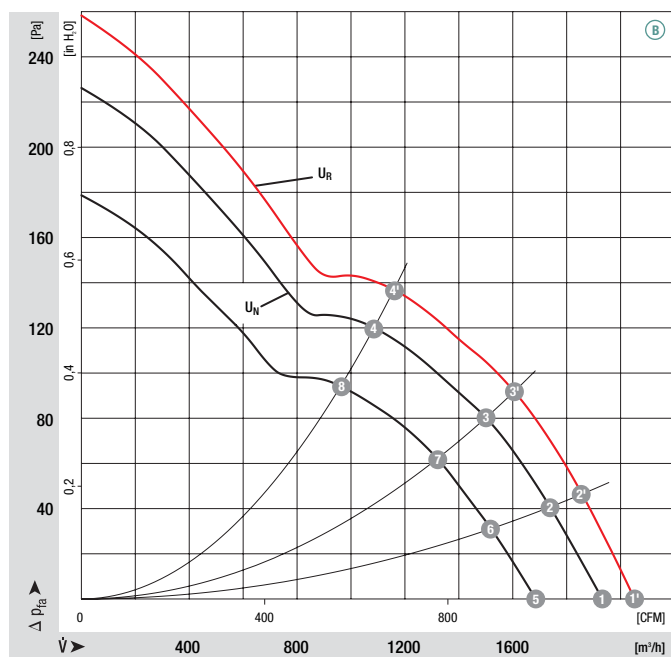
- **Material:**
Wall ring: Die-cast aluminium
Blades: Sheet steel, coated in black
Rotor: Coated in black
- **Number of blades:** 7
- **Direction of air flow:** "V", exhaust over struts
- **Direction of rotation:** Counter-clockwise, seen on rotor
- **Type of protection:** IP 42
- **Insulation class:** "B"
- **Mounting position:** Any
- **Condensate discharges:** None
- **Mode of operation:** Continuous operation (S1)
- **Bearings:** Maintenance-free ball bearings
- **Technical features:** Control input 0-10 VDC / PWM, tach output, polarity and locked rotor protection
- **EMC:**
Interference emission acc. to EN 61000-6-3
Interference immunity acc. to EN 61000-6-2
- **Connection leads:** Terminal strip
- **Protection class:** I
- **Product conforming to standard:** EN 60950-1
- **Approvals:** VDE, UL, CSA;
ⓑ (48 VDC) with CCC

Nominal data		Curve	Nominal voltage	Voltage range	Air flow	Speed/rpm	Power input	Current draw	Sound pressure level	Max. operative range	Perm. amb. temp.	Mass
Type	Motor	VDC	VDC	m³/h	rpm	W	A	dB(A)	Pa	°C	kg	
W1G250-HH37 -52	M1G074-BF	ⓑ	24	16-28	1920	2750	105	5.00	70	—	-25 to +60	2.5
W1G250-HH67 -52	M1G074-BF	ⓑ	48	36-57	1920	2750	105	2.60	70	—	-25 to +60	2.5

subject to alterations

	n [rpm]	P ₁ [W]	Lp _A [dB(A)]	η _{HL} [%]		n [rpm]	P ₁ [W]	Lp _A [dB(A)]	η _{HL} [%]
ⓑ 1'	2920	129	71	—	ⓑ 3	2520	111	69	60
ⓑ 2'	2800	132	72	63	ⓑ 4	2440	114	70	45
ⓑ 3'	2680	135	71	60	ⓑ 5	2610	73	66	—
ⓑ 4	2600	139	72	45	ⓑ 6	2320	75	67	63
ⓑ 1	2750	105	70	—	ⓑ 7	2230	78	67	60
ⓑ 2	2630	110	69	63	ⓑ 8	2170	80	68	45

Curves



(1) Control input
(2) Tach output